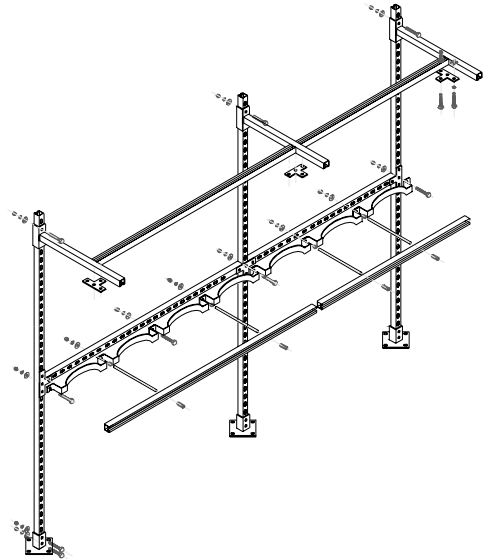
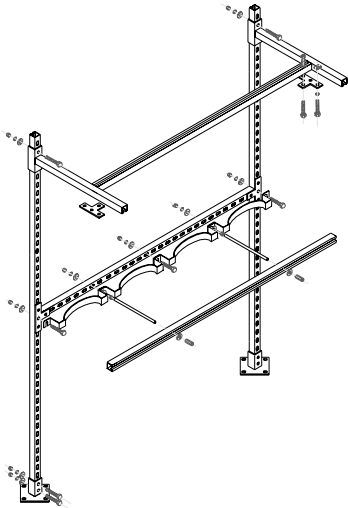


CO₂ Suppression Systems



DESCRIPTION

Cylinder Rack Assemblies are designed to rigidly support CO₂ cylinders on multiple or main/reserve cylinder applications.

Cylinder Rack Assemblies w/ weigh rail are available in 2,3,4,5 and 6 cylinder configurations. For applications with more than 6 cylinders, "Add-on" Cylinder Rack Assemblies are available in the same 2 through 6 cylinder configurations. This will allow any combination of cylinders to be housed in a single row rack arrangement.

All cylinders are mounted on 12" centers.
Maximum height of rack: 86"
See rack assembly dimensions on back page

MATERIAL

Rack:	Steel Unistrut construction with galvanized finish
Mounting hardware:	Steel with galvanized finish
Fasteners:	Plated finish
Marine:	All marine material is stainless steel

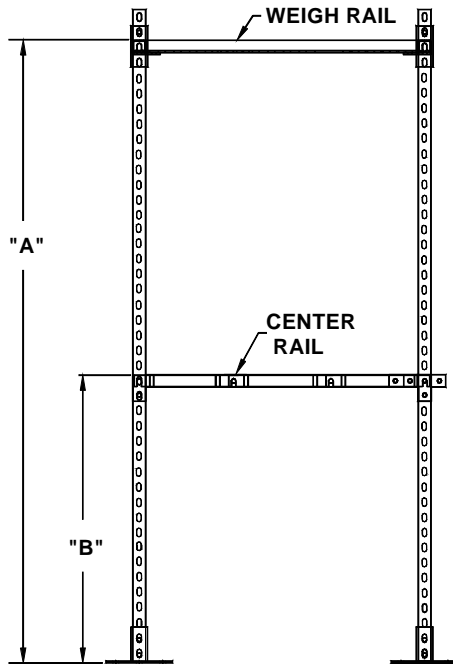
SPECIFICATION

<u>Part Number</u>	<u>Basic Rack Assembly</u>
C70-040-20	2 cylinder
C70-040-30	3 cylinder
C70-040-40	4 cylinder
C70-040-50	5 cylinder
C70-040-60	6 cylinder
	<u>Add-on Rack Assembly</u>
C70-040-20A	2 cylinder
C70-040-30A	3 cylinder
C70-040-40A	4 cylinder
C70-040-50A	5 cylinder
C70-040-60A	6 cylinder
	<u>Basic Rack Assembly</u>
<u>Marine Part Number</u>	
C70-040-20-N	2 cylinder
C70-040-30-N	3 cylinder
C70-040-40-N	4 cylinder
C70-040-50-N	5 cylinder
C70-040-60-N	6 cylinder
	<u>Add-on Rack Assembly</u>
C70-040-20A-N	2 cylinder
C70-040-30A-N	3 cylinder
C70-040-40A-N	4 cylinder
C70-040-50A-N	5 cylinder
C70-040-60A-N	6 cylinder

July, 2002
Revised Issue

CYLINDER RACKING ASSEMBLY

The figure and table below illustrate the vertical height at which the center / front rails and weigh rails should be located.



Recommended Mounting Dimensions				
Cylinder Size	English – In.		Metric – mm.	
	“A”	“B”	“A”	“B”
50 lb./22.7 kg	67.50	33.00	1715	838
75 lb./34.0 kg	72.5	38.50	1842	978
100 lb./45.4 kg	74.5	43.00	1892	1092