

P/N C70-202

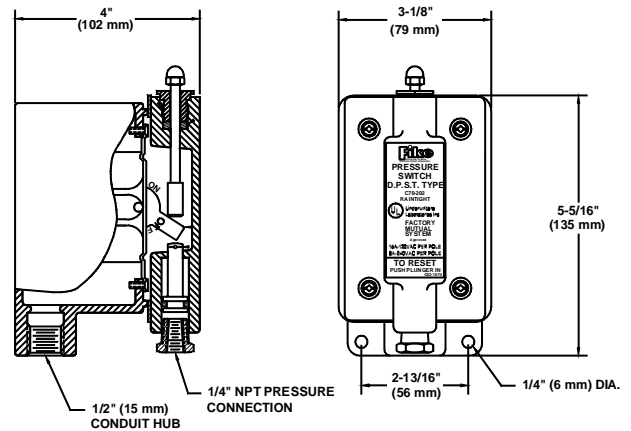
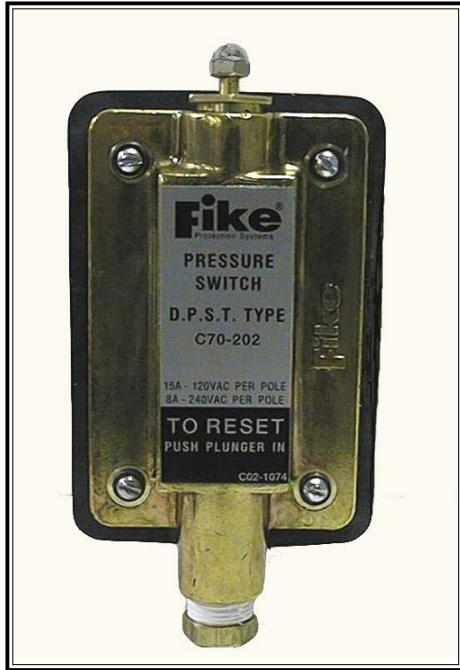
FM - 3002238 / 0D8A9.AF

UL - Ex 4447

CEx - 1312

USCG - 162.161/2/0 (HFC-227ea)

USCG - 162.038/12/0 (CO₂)



APPLICATION

The C70-202 Pressure Switch is used to provide an electrical tie-in to the control panel that indicates the CO₂ system has been activated. The pressure switch is also used to open, or close, electrical circuits for various functions such as equipment shutdown and alarm activation.

Note: The pressure switch will not transfer during the pre-discharge period. Therefore, the switch is not suitable for an evacuation alarm signal.

Note: After operation, the pressure switch must be reset prior to resetting the control panel.

The pressure switch is a double pole, single throw switch housed in a weather-proof backbox. When the system is activated, the switch is operated by CO₂ pressure from the discharge piping.

INSTALLATION

The switch should be mounted on a suitable mounting surface, in the vertical position. Connection is made using 1/4" (8 mm) piping, in accordance with NFPA 12 requirements. Additional pressure switches may be installed by using branch tees in the 1/4" (8 mm) supply piping to "daisy-chain" the pressure switches together.

SPECIFICATIONS

Switch: Double pole, single throw
Ratings: 15A - 120 VAC
8A - 240 VAC
Pressure: 100 psi (690 kpa) (Activation Pressure)

